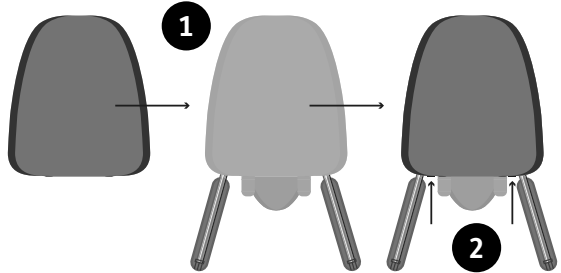


Scoot

RETROFIT

STEP 1: How to attach the Advanced Backrest Cushion

1. Pull the cover over the plastic backrest as shown.

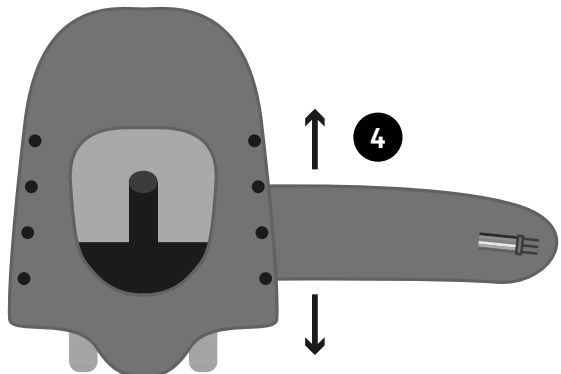
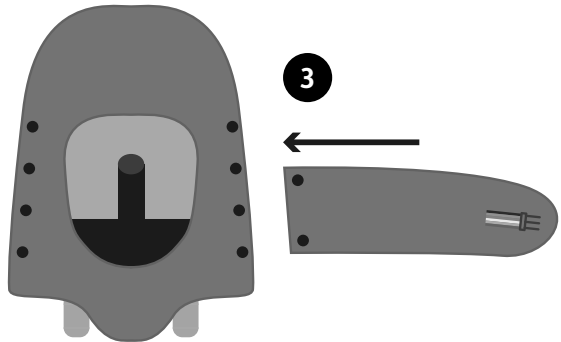


2. Hook the elastic over to secure the cover over the backrest.

3. Place the laterals in the slots shown and attach to the poppers.

4. To adjust the lateral height, move the laterals up and down between the four poppers.

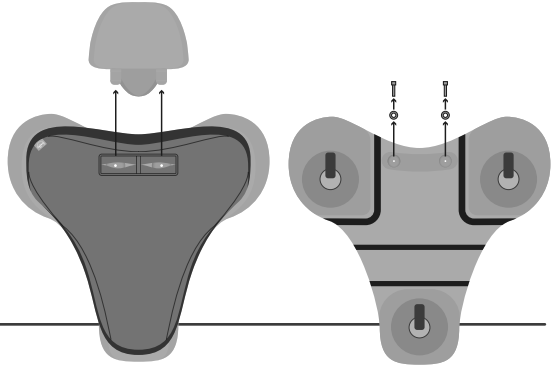
5. Attach the backrest to the Scoot as shown overleaf.



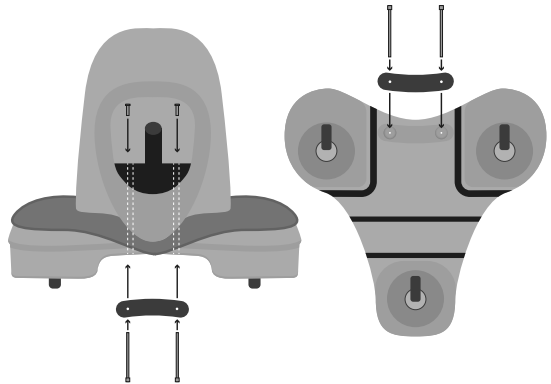
NOTE: If you have not purchased the Advanced Backrest Cushion, please move straight to Step 2 overleaf.

STEP 2: How to attach the new backrest and Poosh handle

1. Remove the existing backrest by taking out the screws and washers shown.



2. To attach the new backrest, insert backrest fingers through the slots in the upholstery so both sit securely in the holes of the Scoot base. Fix the backrest, bracket and furniture connectors to the underside with the plate and screws shown.



3. Use the tools provided to tighten the screws and secure the backrest.

4. Ensure that the backrest does not wobble.

5. To attach the push handle, place the pole inside the area shown. Tighten screw A to ensure the pole is secure. Adjust the pole to the correct height suitable for you and tighten with screw B.

6. Ensure that the pole is secure before use.

